

CHEM-FEED[®] CD1

Output rates up to 7.70 GPH (29.15 LPH)
Max PSI of 150 (10.3 bar)
1,000:1 turndown ratio
Diaphragm Failure Detection (DFD) system
Brushless DC motor
3-year warranty



NEMA 4X



Features

- ▶ Multi diaphragm metering with industry best turndown at 1000:1
- ▶ Built for long life at high pressures, 3 year warranty
- ▶ Smooth chemical dosing, no pulsation dampener needed
- ▶ Output rates up to 7.70 GPH (29.15 LPH).
- ▶ Max PSI of 150 (10.3 bar).
- ▶ Brushless DC motor.
- ▶ Exclusive Diaphragm Failure Detection (DFD) system, which senses diaphragm failure by detecting chemical in the pump head, shuts off the pump. No false triggering.
- ▶ Remote Start/Stop, which is one non-powered dry contact closure.
- ▶ Rated for continuous duty.
- ▶ Compatible with Blue-White Industries' output Flow Verification Sensor (FVS) system.
- ▶ Relay outputs include a single 250V/ 3A and a single solid state.



P: 03 8805 0500
E: sales@toolkwippumps.com
A: 8-10 Parkhurst Drive
Knoxfield VIC 3180

CHEM-FEED[®] Mutli Diaphragm Metering Pump

Engineering and Technical Data

Engineering Specifications

Maximum Working Pressure	150 PSI (10.3 bar)
Maximum Fluid Temperature	185°F (85°C)
Maximum Viscosity	1000 centipoise
Maximum Suction Lift	20 ft. at 0 PSI
Ambient Operating Temperature	14°F to 115°F (-10°C to 42°C)
Ambient Storage Temperature	-40°F to 158°F (-40°C to 70°C)
Operating Voltage	115V60Hz 1 PH (0.6A max.) 220V50Hz 1 PH (0.3A max.) 230V60Hz 1 PH (0.3A max.) 230V50Hz 1 PH (0.3A max.) 240V50Hz 1 PH (0.3A max.)
Power Cord Options	115V50/60Hz = NEMA 5/15 (USA) 230V50/60Hz = NEMA 6/15 (USA) 220V50/60Hz = CEE 7/VII (EU) 240V50/60Hz = AS 3112 (Australia/New Zealand)
Motor	Brushless DC, 50W
Duty Cycle	Continuous
Motor Speed Adjustment Range	1,000:1 (0.1% - 100%)
Enclosure	NEMA 4X (IP66), Valox [®] (PBT) & PA12
Maximum Overall Dimensions	8.17"W x 9.46"H x 10.38"D (20.74cm W x 24.02cm H x 26.36cm D)
Product Weight	8.5 lb. (3.8 Kg)
Approximate Shipping Dimensions	10.5" W x 13.75" H x 11" D (26.7 W x 35 H x 28 D cm)
Approximate Shipping Weight	15.5 lb. (7.0 Kg)

Materials of Construction

Wetted Components

Pump Head Assembly	
Pump Head	PVDF
Adapter Connections	PVDF
Valve Cartridge	PVDF
Valve Balls	Ceramic
Elastomers	TFE/P (optional EP)
Static Seals	TFE/P (optional EP)
Diaphragm	PVDF (optional Flex-A-Prene [®])
Injection / Back-Flow Check Valve	
Body & Insert	Polypropylene (optional PVDF)
Check Ball	Ceramic
Spring	Hastelloy C-276
Ball Seat O-Ring	TFE/P (optional EP)
Static Seal O-Ring	FKM (optional EP)
Ancillary Items Provided	
Suction Tubing	3/8" OD x 1/4" ID x 5' Clear PVC
Discharge Tubing	3/8" OD x 1/4" ID x 5' Polyethylene (LLDPE)
Suction Strainer	Polypropylene
Weight	Ceramic

Non-Wetted Components

Enclosure	Valox [®] (PBT) & PA12 thermoplastic
Pump Head	Valox [®] (PBT) thermoplastic
Pump Head Cover	Polycarbonate for added strength and chemical resistance. Permanently lubricated sealed motor shaft support ball bearing.
Cover Screws	Stainless steel, polypropylene cap
DFD System Sensor Pins	Hastelloy C-276
Power Cord	3 conductor, SJTW-A water-resistant
Hardware	316 stainless steel screws
Mounting Brackets	Nylon



P: 03 8805 0500
E: sales@toolkwippumps.com
A: 8-10 Parkhurst Drive
Knoxfield VIC 3180

CHEM-FEED[®] Multi Diaphragm Metering Pump

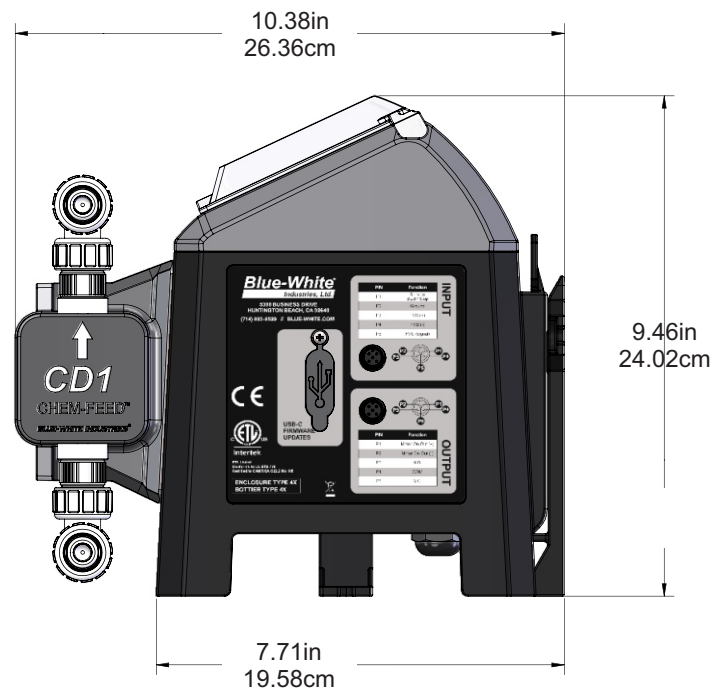
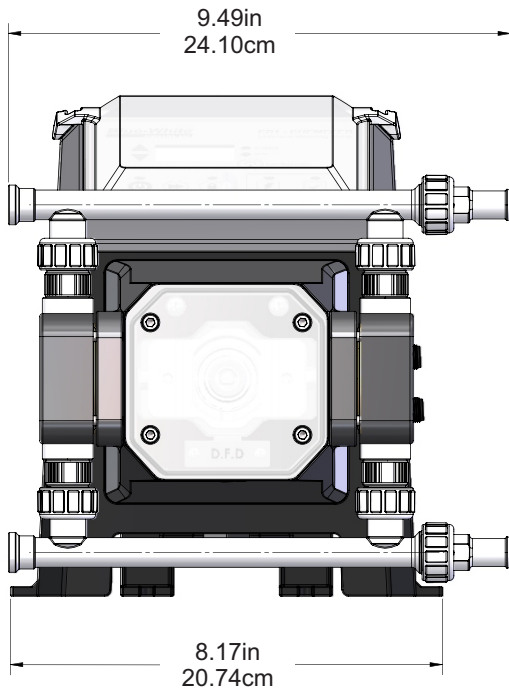
Engineering and Technical Data

Output Specifications

Chem-Feed[®] CD1 Multi Diaphragm Metering Pump

Feed Rate		Maximum Pressure PSI (bar)	Maximum Temperature °F (°C)	CD1F1 Model Numbers		
GPH	LPH			115V AC	230V AC	220V AC
0.0077 - 7.70	0.0292 - 29.15	150 (10.3)	185 (85)	CD1FV14	CD1FV15	CD1FV16

Dimensions



P: 03 8805 0500
E: sales@toolkwippumps.com
A: 8-10 Parkhurst Drive
Knoxfield VIC 3180

CHEM-FEED[®] Multi Diaphragm Metering Pump

Engineering and Technical Data

Model Number Matrix

FlexFlo [®] Model Number	
CD1	Chem-Feed [®] Multi Diaphragm Metering Pump
Series	
F	Standard Equipment
Elastomer Material (O-Rings)	
V	TFE/P
E	EP
Cam Stroke Length	
1	.125"
Power Cord (Operating voltage requirement 96VAC to 264VAC)	
4	115V 50/60Hz, power cord NEMA 5/15 plug (US)
5	230V 50/60Hz, power cord NEMA 6/15 plug (US)
6	220V 50/60Hz, power cord CEE 7/V11 plug (EU)
8	240V 50/60Hz, power cord AS 3112 plug (Australia/New Zealand)
9	230V 50/60Hz, power cord BS 1363/A plug (United Kingdom)
Miscellaneous Options (Leave blank if not used)	
5	A-014NK-6A injector PVDF
A	Include two M12 cables at 10' each
S	Flex-a-prene [®] Diaphragms (Caustic Soda resistant diaphragms)

CD1	F	V	1	4	-	5	Sample Model Number
------------	----------	----------	----------	----------	----------	----------	---------------------



P: 03 8805 0500
 E: sales@toolkwippumps.com
 A: 8-10 Parkhurst Drive
 Knoxfield VIC 3180