

FLEXFLO[®] A1F

Output rates up to 5.60 GPH (21.19 LPH)
Pressures up to 100 PSI (6.89 bar)
1,000:1 turndown ratio
Tube Failure Detection (TFD) system
Brushless DC motor
3-year warranty



Exclusive:

NEMA 4X



Features

- ▶ Self-priming (even against maximum line pressure), which means no required bypass valves, and it cannot vapor lock or lose prime.
- ▶ Output rates up to 5.60 GPH (21.19 LPH).
- ▶ Pressure up to 100 PSI (6.89 bar).
- ▶ Brushless DC motor.
- ▶ Exclusive Tube Failure Detection (TFD) system, which senses tube failure by detecting chemical in the pump head, shuts off the pump. No false triggering.
- ▶ Remote Start/Stop, which is one non-powered dry contact closure.
- ▶ Three-nylon, molded squeeze rollers for optimum squeeze, high accuracy, and long tube life.
- ▶ Heavy duty rotor that has a single piece, plastic rotor for no flexing, and high accuracy with no corroding metal springs or hinges.
- ▶ Chemical-resistant tubing capable of pumping bleach (sodium hypochlorite), calcium hypochlorite 20%, and muriatic acid (hydrochloric acid).
- ▶ Rated for continuous duty.
- ▶ Compatible with Blue-White Industries, Ltd.'s output Flow Verification Sensor (FVS) system.
- ▶ Relay outputs include a single 250V/ 3A and a single solid state.

FLEXFLO[®] Peristaltic Metering Pump

Engineering and Technical Data

Engineering Specifications

Maximum Working Pressure (Excluding pump tubes) ¹	100 PSI (6.89 bar)
Maximum Fluid Temperature	185°F (85°C)
Maximum Viscosity	5000 centipoise
Maximum Suction Lift	30 ft. of water at sea level (14.7 atm psi)
Ambient Operating Temperature	14°F to 125°F (-10°C to 52°C)
Ambient Storage Temperature	-40°F to 158°F (-40°C to 70°C)
Operating Voltage	115V60Hz 1 PH (0.6A max.) 220V50Hz 1 PH (0.3A max.) 230V60Hz 1 PH (0.3A max.) 230V50Hz 1 PH (0.3A max.) 240V50Hz 1 PH (0.3A max.)
Power Cord Options	115V50/60Hz = NEMA 5/15 (USA) 230V50/60Hz = NEMA 6/15 (USA) 220V50/60Hz = CEE 7/VII (EU) 240V50/60Hz = AS 3112 (Australia/New Zealand)
Motor	Brushless DC, 50W.
Duty Cycle	Continuous
Motor Speed Adjustment Range	1,000:1 (0.1% - 100%)
Enclosure	NEMA 4X (IP66), Valox [®] (PBT) & PA12
Maximum Overall Dimensions	7.25" W x 9" H x 10" D (18.5 W x 22.9 H x 25.2 D cm)
Product Weight	6 lb. (2.7 Kg)
Approximate Shipping Weight	13 lb. (5.9 Kg)
Approximate Shipping Dimensions	10.5" W x 13.75" H x 11" D (26.7 W x 35 H x 28 D cm)

Materials of Construction

Wetted Components

Pump Tube Assembly	
Tubing	Flex-A-Prene [®]
Adapter Fittings	PVDF
Injection / Back-Flow Check Valve	
Body & Insert	Polypropylene (optional PVDF)
Check Ball	Ceramic
Spring	Hastelloy C-276
Ball Seat O-Ring	TFE/P
Static Seal O-Ring	FKM
Ancillary Items Provided	
Suction Tubing	3/8" OD x 1/4" ID x 5' Clear PVC
Discharge Tubing	3/8" OD x 1/4" ID x 5' Polyethylene (LLDPE)
Suction Strainer	Polypropylene
Weight	Ceramic

Non-Wetted Components

Enclosure	Valox [®] (PBT) & PA12 thermoplastic
Pump Head	Valox [®] (PBT) thermoplastic
Pump Head Cover	Polycarbonate for added strength and chemical resistance. Permanently lubricated sealed motor shaft support ball bearing.
Cover Screws	Stainless steel, polypropylene cap
Roller Assembly	
Rotor	Valox [®] (PBT)
Rollers	Nylon
Roller Bearings	Bronze
TFD System Sensor Pins	Hastelloy C-276
Power Cord	3 conductor, SJTW-A water-resistant
Tube Installation Tool	GF nylon
Mounting Brackets and Hardware	316 stainless steel screws GF nylon bracket

FLEXFLO[®] Peristaltic Metering Pump

Engineering and Technical Data

Output Specifications

Flex-A-Prene[®] A1FX Tube Pumps ¹

Tube Model	Feed Rate ²		Maximum Pressure PSI (bar) ³	Maximum Temperature °F (°C) ³	A1FX Model Numbers		
	GPH	LPH			115V AC ⁴	230V AC ⁵	220V AC ⁵
A1-6T	0.0014 - 1.35	0.0051 - 5.14	100 (6.89)	185 (85)	A1FX4	A1FX5	A1FX6
A1-7T	0.0042 - 4.17	0.0158 - 15.78	50 (3.45)				

Flex-A-Thane[®] A1FP Tube Pumps ¹

Tube Model	Feed Rate ²		Maximum Pressure PSI (bar) ³	Maximum Temperature °F (°C) ³	A1FP Model Numbers		
	GPH	LPH			115V AC ⁴	230V AC ⁵	220V AC ⁵
A1-2T	0.0024 - 2.41	0.0091 - 9.10	65(4.5)	130 (54)	A1FP4	A1FP5	A1FP6
A1-3T	0.0056 - 5.60	0.0212 - 21.19	50 (3.5)				

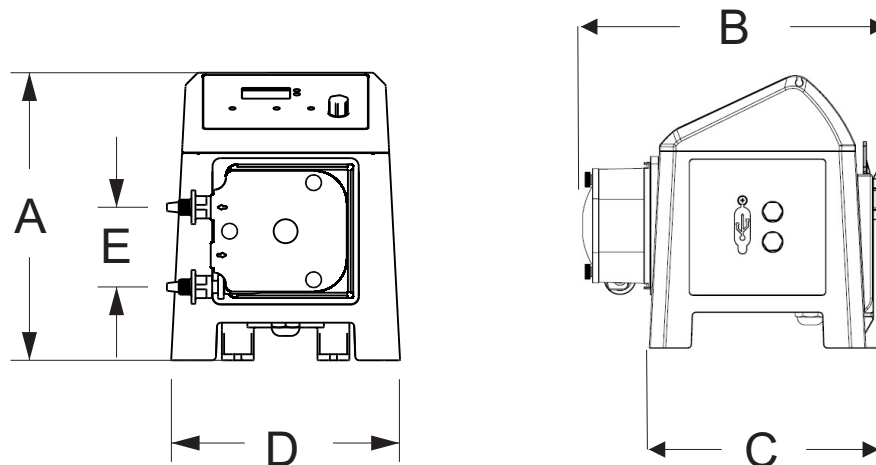
Flex-A-Chem[®] A1FS Tube Pumps ¹

Tube Model	Feed Rate ²		Maximum Pressure PSI (bar) ³	Maximum Temperature °F (°C) ³	A1FS Model Numbers		
	GPH	LPH			115V AC ⁴	230V AC ⁵	220V AC ⁵
A1-8T	0.0031 - 3.09	0.0117 - 11.70	50 (3.45)	130 (54)	A1FS4	A1FS5	A1FS6

NOTES:

- 1 - For optimum tube life, specify the pump to operate at the lowest possible feed rate and pressure.
- 2 - Meets FDA criteria for food
- 3 - Excellent chemical resistance
- 4 - Clean-in-place (CIP)
- 5 - Steam-in-place (SIP)

Dimensions



A1F Series

Dimension	Inches (in.)	Centimeters (cm)
A	9"	22.9
B	10"	25.2
C	7.75"	19.6
D	7.25"	18.5
E	2.5"	6.4

FLEXFLO[®] Peristaltic Metering Pump

Engineering and Technical Data

Model Number Matrix:

FlexFlo [®] Model Number	
A1F	FlexFlo [®] Peristaltic Metering Pump
Series Option	
X	Water Treatment Chemicals
P	Oil and Polymer Chemicals
S	High Concentration Sulfuric Acid
Power Cord (Operating voltage requirement 96VAC to 264VAC)	
4	115V 50/60Hz, power cord NEMA 5/15 plug (US)
5	230V 50/60Hz, power cord NEMA 6/15 plug (US)
6	220V 50/60Hz, power cord CEE 7/V11 plug (EU)
8	240V 50/60Hz, power cord AS 3112 plug (Australia/New Zealand)
9	230V 50/60Hz, power cord BS 1363/A plug (United Kingdom)
X	No Power Cord
Miscellaneous Options (Leave blank if not used)	
5	A-014NK-6A injector PVDF
A1F	X
4	-
5	5
Sample Model Number	