

ProSeries®

by Blue-White Ind.

FLEXFLO® Peristaltic Metering Pump

Engineering and Technical Data

FLEXFLO® A1A

Specially designed for pools, spas,
and water parks
Feed rates from .01 to 100 GPD
Pressures to 40 PSI
Tube Failure Detection (TFD) system
Variable speed DC motor
3-year warranty



Certified to
NSF/ANSI Standard 50

Exclusive:

NEMA 4X



Features:

- Peristaltic pump design does not have valves that can clog requiring maintenance.
- Self priming - even against maximum line pressure. Bypass valves are not required. Cannot vapor lock or lose prime.
- Output rates from .01 to 100 GPD (.01 to 15.8 LPH) and pressures up to 40 PSI (2.76 Bar).
- Variable speed brushless DC motor.
- Patented Tube Failure Detection (TFD) system. Senses tube failure by detecting chemical in the pump head, shuts off the pump and activates a 48VDC @ 80mA relay. No false triggering.
- Remote Start/Stop: Non-powered dry contact closure for remote start/stop.
- Three Nylon molded squeeze rollers for optimum squeeze, unparalleled accuracy, and long tube life.
- Heavy duty rotor - single piece plastic rotor means no flexing and increased accuracy with no metal springs or hinges to corrode.
- Chemically resistant tubing capable of pumping bleach (sodium hypochlorite), calcium hypochlorite 20%, and muriatic acid (hydrochloric acid).

Engineering Specifications:

Maximum Working Pressure (Excluding pump tubes):
40 psig (2.76 bar)

Maximum Suction Lift:
30 ft. of water at sea level (14.7 atm psi)

Ambient Operating Temperature:
14°F to 125°F (-10°C to 52°C)

Ambient Storage Temperature:
-40°F to 158°F (-40°C to 70°C)

Operating Voltage:
115V50/60Hz 1 PH (1.5A max)
230V50/60Hz 1 PH (0.8A max)
220V50/60Hz 1 PH (0.8A max)
240V50/60Hz 1 PH (0.8A max)

Power Cord Options:
115V50/60Hz = NEMA 5/15 (USA)
230V50/60Hz = NEMA 6/15 (USA)
220V50/60Hz = CEE 7/VII (EU)
240V50/60Hz = AS 3112 (Australia/New Zealand)

Motor:
Brushless DC, 50W.

Duty Cycle:
Continuous

Flow Range Adjustment:
0.01 - 100 GPD (0.01 - 15.8 LPH)

Enclosure:
NEMA 4X (Ip66), Valox[®] (PBT) & PA12

Maximum Overall Dimensions:
7-1/4" W x 9" H x 10" D (18.5 W x 22.9 H x 25.2 D cm)

Product Weight:
6 lb. (2.7 Kg)

Approximate Shipping Weight:
13 lb. (5.9 Kg)

Approximate Shipping Dimensions:
10-1/2" W x 13-3/4" H x 11" D (26.7 W x 35 H x 28 D cm)

Materials of Construction:

Wetted Components:

Pump Tube Assembly:

Tubing: Flex-A-Prene
Adapter fittings: .PVDF

Injection / Back-Flow Check Valve:

Body & insert: Polypropylene (optional PVDF)
Check Ball: Ceramic
Spring: Hastelloy C-276
Ball Seat O-ring: TFE/P
Static Seal O-ring: FKM

Ancillary Items Provided:

Suction Tubing: 3/8" OD x 1/4" ID x 10' Clear PVC
Discharge Tubing: 3/8" OD x 1/4" ID x 10' Polyethylene (LLDPE)
Suction Strainer: Polypropylene
Weight: Ceramic

Non-Wetted Components:

Enclosure:

Valox[®] (PBT) & PA12 thermoplastic

Pump Head:

Valox[®] (PBT) thermoplastic

Pump Head Cover:

Polycarbonate for added strength and chemical resistance.
Permanently lubricated sealed motor shaft support ball bearing.

Cover Screws:

Stainless steel, polypropylene cap

Roller Assembly:

Rotor:Valox[®] (PBT)
Rollers:Nylon
Roller Bearings:Bronze

TFD System Sensor Pins:

Hastelloy C-276

Power Cord:

3 conductor, SJTW-A water-resistant

Tube Installation Tool:

GF nylon

Mounting Brackets and Hardware:

316 stainless steel screws
GF nylon bracket

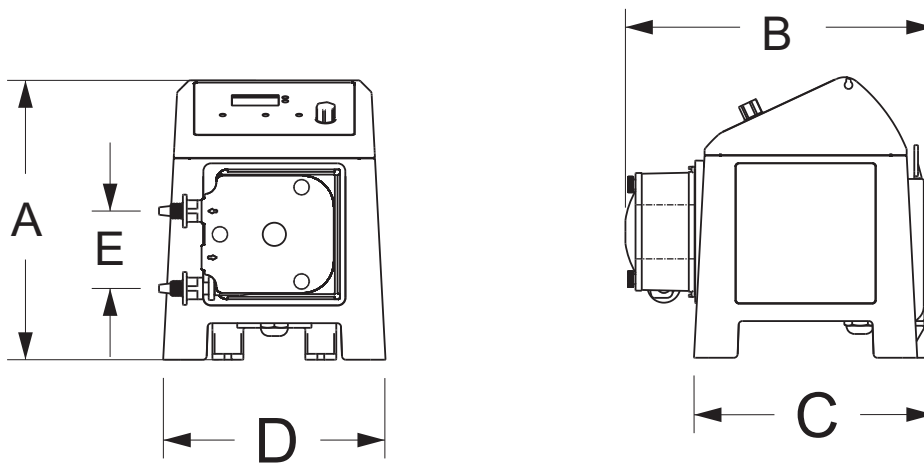
FLEXFLO[®] Peristaltic Metering Pump

Engineering and Technical Data

Output Specifications:

Feed Rate		Max Pressure	Max Temperature	A1A Model Numbers		
Flex-A-Prene[®] A1A Tube Pumps						
Meets FDA criteria for food Excellent chemical resistance CIP SIP						
GPD	LPH	PSI (bar)	F (C)	115V AC	230V AC	220V AC
.01 - 100	.01 - 15.8	40 (2.76)	185 (85)	A1A4-7T	A1A5-7T	A1A6-7T
NOTE: For optimum tube life, specify the pump to operate at the lowest possible feed rate and pressure.						

Dimensions:



Dimension	A1A Series	
	inches	cm
A	9"	22.9
B	10"	25.2
C	7-3/4"	19.6
D	7-1/4"	18.5
E	2.5"	6.4

FLEXFLO[®] Peristaltic Metering Pump

Engineering and Technical Data

Model Number Matrix:

FlexFlo [®] Model Number	
A1A	FlexFlo [®] Peristaltic Metering Pump
Power Cord (Operating voltage requirement 96VAC to 264VAC)	
4	115V 50/60Hz, power cord NEMA 5/15 plug (US)
5	230V 50/60Hz, power cord NEMA 6/15 plug (US)
6	220V 50/60Hz, power cord CEE 7/V11 plug (EU)
8	240V 50/60Hz, power cord AS 3112 plug (Australia/New Zealand)
9	230V 50/60Hz, power cord BS 1363/A plug (United Kingdom)
X	No Power Cord
Pump Tube Material, Pump Tube Size, Operating flow range	
7T	Flex-A-Prene [®] .250 ID, .01 GPD to 100 GPD
Miscellaneous Options (Leave blank if not used)	
5	A-014NK-6A injector PVDF

A1A	4	-	7T	-	5	Sample Model Number
------------	----------	----------	-----------	----------	----------	----------------------------



P: 03 8805 0500
 E: sales@toolkwippumps.com
 A: 8-10 Parkhurst Drive
 Knoxfield VIC 3180