

MOTOR DRIVEN



QUAD 4000 SERIES PUMPS | FOR INTERNATIONAL & US MARKETS

ITT Flojet developed the quad pumps to deliver higher flows up to 5 GPM (18.92 LPM) using a four-piston design with excellent self-priming capability.



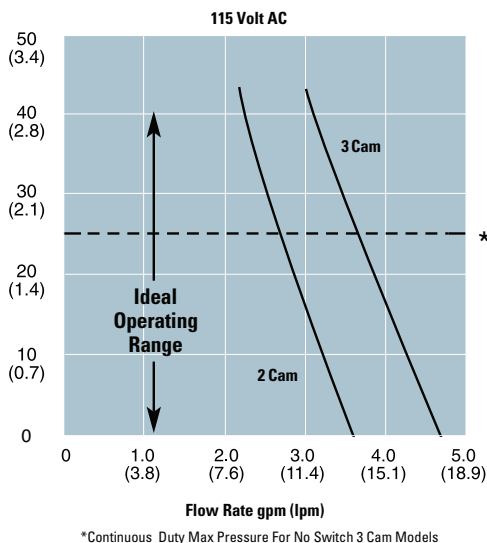
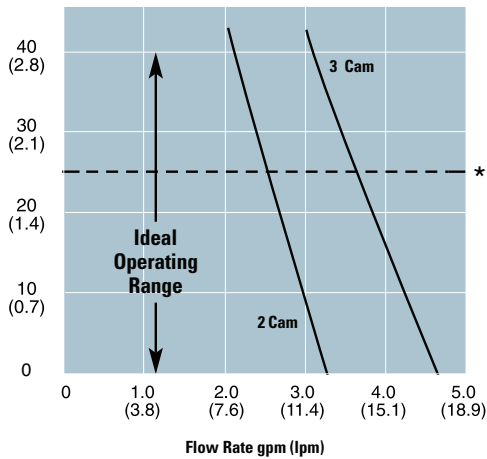
FEATURES

- Built-in pressure switch automatically starts and stops pump instantaneously when discharge valve opens and closes
- Compact design and plug-in port fittings make installation easy
- Can run dry without damage and handle liquids up to 130° F (54° C)
- No metal contact with liquid being pumped
- Ball bearing drive throughout pump and motor assures longer pump life
- Excellent self-priming capability. Pump may be located above the liquid level
- Powerful, permanent magnet motor with low current draw and long life brushes

SPECIFICATIONS

Flow Rate	3.5 to 5.0 GPM (13.2 and 18.9 LPM) Nominal
Pump Design	Diaphragm
Motor	TEFC/TENV Permanent Magnet Motor
Voltage	12 & 24 Volt DC, 115 & 230 Volt AC
Cycle	50/60 hertz for AC Models
Current	1.5 amp max. (115 V)
Pressure Switch Setting	45 PSI (3.2 bar) cut out
Maximum Operating Pressure	40 PSI (2.8 bar)
Self-Priming	Up to 8 ft. (2.4 m) Vertical Height
Ports *	Plug-In Ports 1/2" (12.7mm) or 3/4" (19mm) Hose Barb Standard
Wetted Parts	Housing Modified Polypropylene - Standard, Elastomers Santoprene® and Buna - Standard
Net Weight	4 lbs. (2 kg)

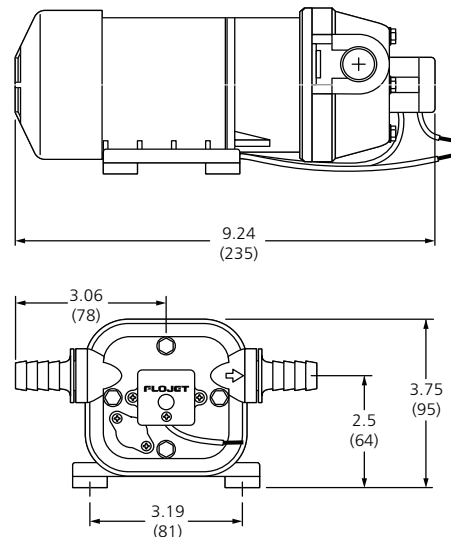
PERFORMANCE



*Consult your local ITT Flojet representative for other type of Port Fittings
 4300 and I series: INST. SHEET # 81000-084
 4100 series: INST. SHEET # 81000-176
 AC VSD: INST. SHEET # 81000-388

DIMENSIONAL DRAWING

UNLESS OTHERWISE STATED DIMENSIONS IN [] ARE IN MM.



QUAD 4000 SERIES PUMPS | FOR INTERNATIONAL & US MARKETS

MODELS

MODEL #S	CE	VOLTAGE	SWITCH PSI (BAR)	DIAPHRAGM	CHECK VALVE	OPEN FLOW GPM (LPM)	FITTINGS	COMMENTS
04100113	No	12V	No	Geolast	BUNA	5.0 (19.0)	3/4" (14.05 mm) HB ST	
04100143	R4100143	12V	No	Santoprene	EPDM	5.0 (19.0)	3/4" (14.05 mm) HB ST	
04100505	No	12V	No	Santoprene	VITON	3.7 (14.0)	1/2" (12.7 mm) HB ST	
04300112	No	12V	45 (3.1)	Geolast	BUNA	3.7 (14.0)	1/2" (12.7 mm) HB ST	
04300142	R4300142	12V	45 (3.1)	Santoprene	EPDM	3.7 (14.0)	1/2" (12.7 mm) HB ST	
04300143	R4300143	12V	45 (3.1)	Santoprene	EPDM	5.0 (19.0)	3/4" (14.05 mm) HB ST	
04300500	R4300500	12V	45 (3.1)	Santoprene	VITON	3.7 (14.0)	1/2" (12.7 mm) HB ST	
04300504	R4300504	12V	45 (3.1)	Santoprene	VITON	5.0 (19.0)	3/4" (14.05 mm) HB ST	
04300506	R4300506	12V	45 (3.1)	Geolast	BUNA	5.0 (19.0)	3/4" (14.05 mm) HB ST	
04300528	No	12V	45 (3.1)	Santoprene	VITON	3.8 (14.5)	1/2" (12.7 mm) HB ST & GH x 1/2" MNPT	Inline connector, Rocker Switch
04100343	R4100343	24V	No	Santoprene	EPDM	5.0 (19.0)	3/4" (14.05 mm) HB ST	
04300342	R4300342	24V	45 (3.1)	Santoprene	EPDM	3.7 (14.0)	1/2" (12.7 mm) HB ST	
04300343	R4300343	24V	45 (3.1)	Santoprene	EPDM	5.0 (19.0)	3/4" (14.05 mm) HB ST	
04100511	No	36V	No	Santoprene	VITON	5.0 (19.0)	3/4" (14.05 mm) HB ST	
04100500	R4100500	115VAC	No	Santoprene	EPDM	3.7 (14.0)	1/2" (12.7 mm) HB ST	
04100502	No	115VAC	No	Santoprene	VITON	5.0 (19.0)	3/4" (14.05 mm) HB ST	
04300042	No	115VAC	45 (3.1)	Santoprene	EPDM	3.7 (14.0)	1/2" (12.7 mm) HB ST	
04300043	No	115VAC	45 (3.1)	Santoprene	EPDM	5.0 (19.0)	3/4" (14.05 mm) HB ST	
04300501	R4300501	115VAC	45 (3.1)	Santoprene	VITON	3.7 (14.0)	1/2" (12.7 mm) HB ST	
04300515	No	115VAC	45 (3.1)	Santoprene	VITON	5.0 (19.0)	3/4" (14.05 mm) HB ST	
04300525	No	115VAC	45 (3.1)	Santoprene	VITON	5.0 (19.0)	3/4" (14.05 mm) HB ST	6' (1.83m) cord
04300529	No	115VAC	40 (2.8)	Santoprene	VITON	3.0 (11.5)	1/2" (12.7 mm) HB ST	Cord / Continuous Duty/Induction motor
04300531	No	115VAC	40 (2.8)	Santoprene	EPDM	3.0 (11.5)	1/2" (12.7 mm) HB ST	Cord / Continuous Duty/Induction motor
1102010211	No	115VAC	No	Santoprene	VITON	5.0 (19.0)	3/4" (14.05 mm) HB ST	6' (1.83m) cord
1103050211	No	115VAC	No	Santoprene	EPDM	5.0 (19.0)	3/4" (14.05 mm) HB ST	6' (1.83m) cord
1301050110	No	115VAC	45 (3.1)	Santoprene	EPDM	3.7 (14.0)	1/2" (12.7 mm) HB ST	6' (1.83m) cord
1304010110	No	115VAC	45 (3.1)	Santoprene	VITON	3.7 (14.0)	1/2" (12.7 mm) HB ST	6' (1.83m) cord
R4300538	Yes (see left)	230VAC	35 (2.4)	Santoprene	EPDM	4.5 (17.0)	3/4" (14.05 mm) HB ST + 1/2" HB ELB	Induction motor/Continuous Duty
R4300539	Yes (see left)	230VAC	35 (2.4)	Santoprene	EPDM	3.5 (13.0)	3/4" (14.05 mm) HB ST + 1/2" HB ELB	Induction motor/Continuous Duty
R4320242	Yes (see left)	230VAC	35 (2.4)	Santoprene	EPDM	3.7 (14.0)	1/2" (12.7 mm) HB ST	
R4320243	Yes (see left)	230VAC	35 (2.4)	Santoprene	EPDM	5.0 (19.0)	3/4" (14.05 mm) HB ST	
R4320252	Yes (see left)	230VAC	35 (2.4)	Santoprene	VITON	3.7 (14.0)	1/2" (12.7 mm) HB ST	
R4320253	Yes (see left)	230VAC	35 (2.4)	Santoprene	VITON	5.0 (19.0)	3/4" (14.05 mm) HB ST	